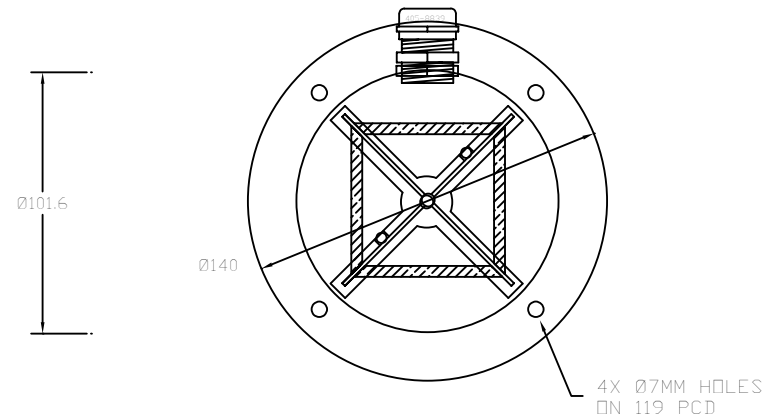
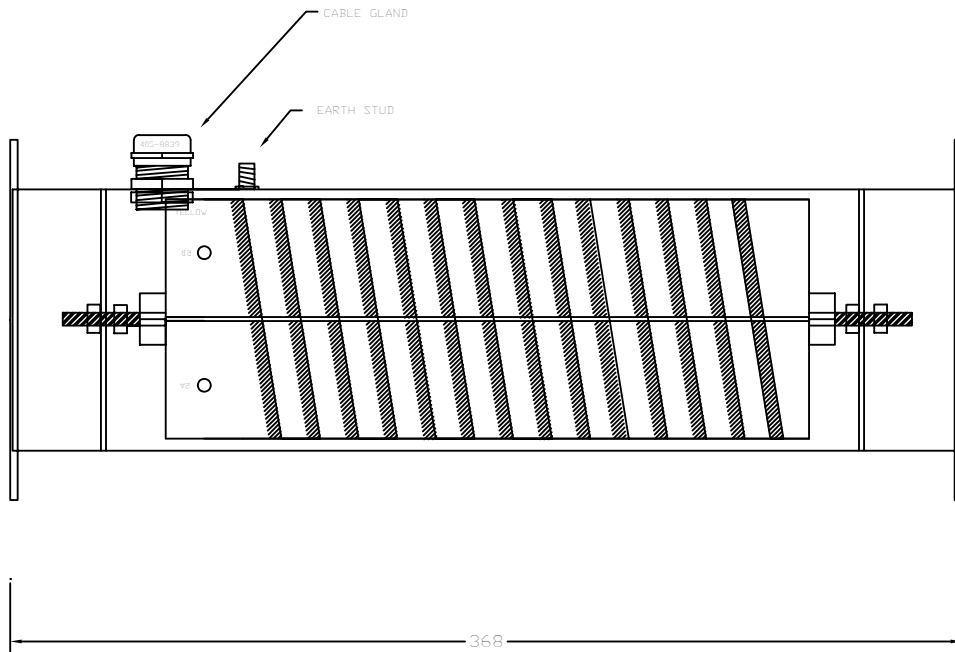


STANDARD TOLERANCES APPLY

REMOVE ALL SHARP EDGES

ALL DIMENSIONS IN M.M. IF IN DOUBT ASK



AIRTEC AIR
SYSTEMS LTD

PROJECT
TYPE A
HEATER TUBE

DETAIL
GA

COPYRIGHT
THIS DESIGN REMAINS THE PROPERTY
OF TECHNJET LTD
AND MUST NOT BE COPIED, LOANED
OR REPRODUCED WITHOUT
WRITTEN PERMISSION

DRAWN
SCALE

DATE
MACHINE
WELD

ISSUE	A								
DATE									
DRG NO.	ATHTA 001								