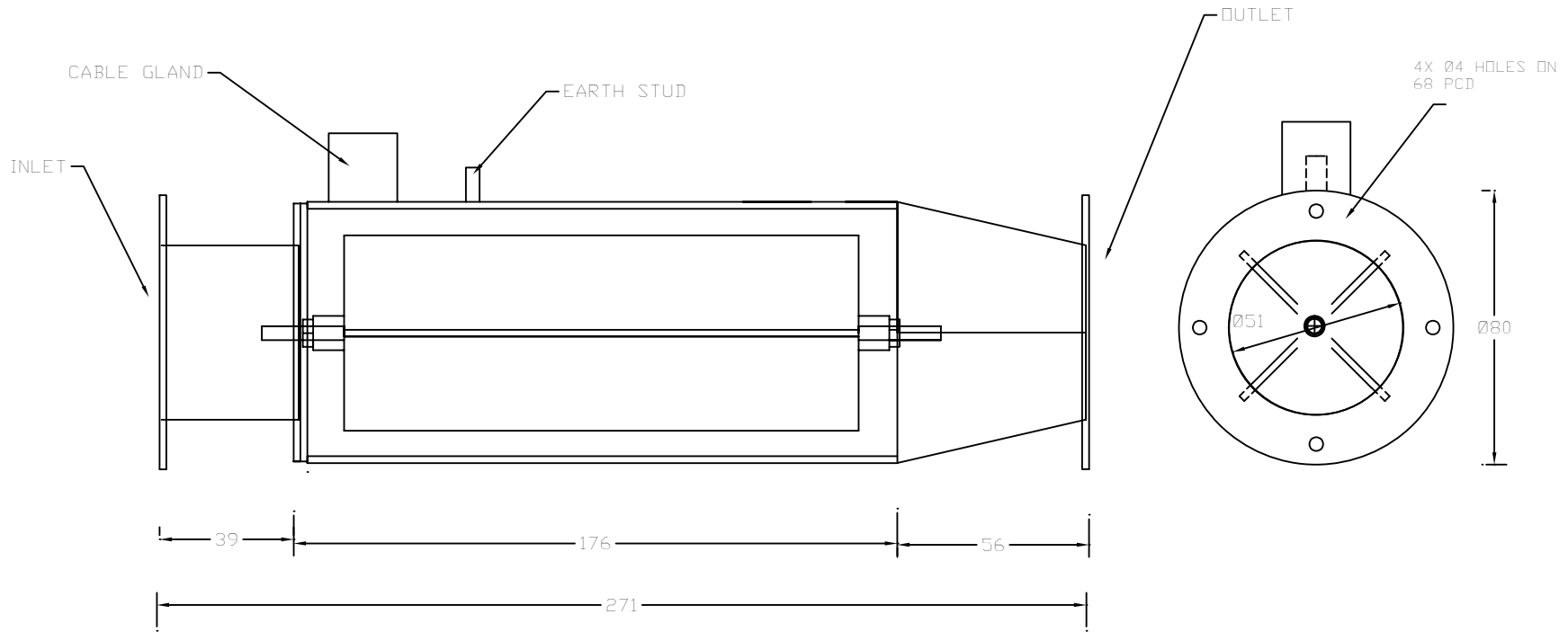


STANDARD TOLERANCES APPLY

REMOVE ALL SHARP EDGES

ALL DIMENSIONS IN M.M. IF IN DOUBT ASK



AIRTEC

PROJECT
TYPE B HEATER
TUBE

DETAIL
GA

DRAWN

DATE

ISSUE

DATE

SCALE

MACHINE
WELD

DRG
NO.

ATHT-B 001